



# LUNA HT

GAS CONDENSING  
WALL HUNG BOILERS



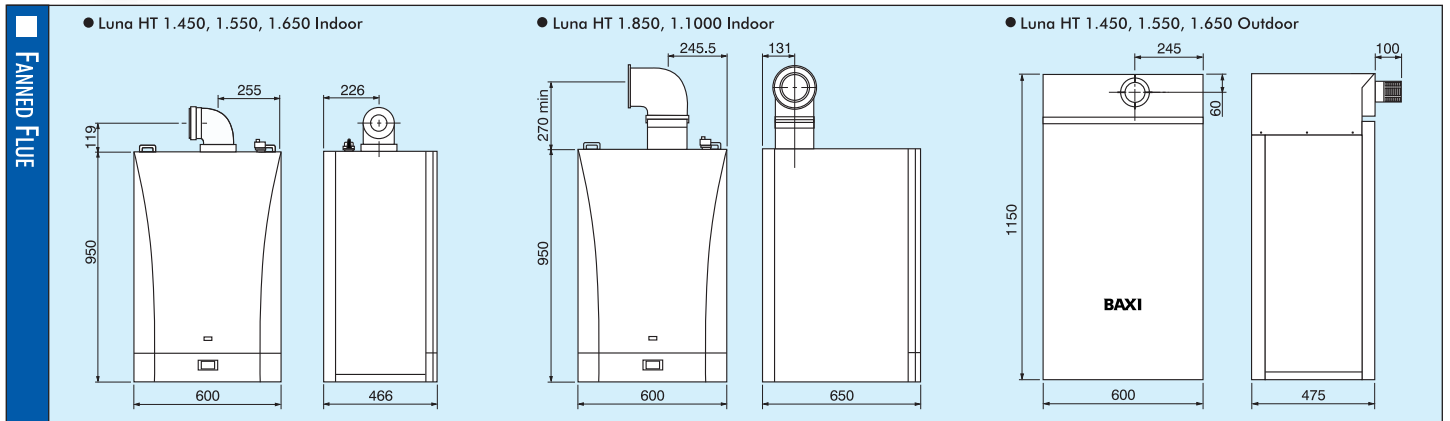


Baxi and Hydroheat Supplies are proud to introduce a top class wall mounted condensing boiler range, combining leading edge technology, high efficiency with compact dimensions. The Luna HT range is suitable for indoor (45-100kW) and outdoor (45-65kW) installation and is available in 5 models 45, 55, 65, 85 and 100kW. Thanks to the sophisticated electronics this condensing range is ideal for single unit installations and cascade systems of up to 16 boilers in series.

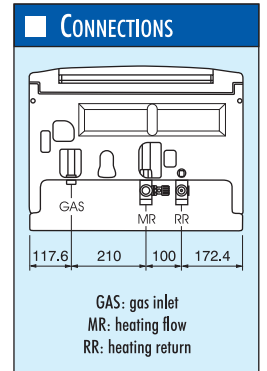
## FEATURES

- Modulating fan for ensuring the maximum efficiency and the constant air/gas ratio for the whole range of outputs
- BAXI by Siemens remote controller and outdoor probe option for outdoor compensation
- Text display, digital boiler programming, setting and control / double CPU microprocessor for performance optimization
- System to prevent pump sticking operating every 24 hours
- Anti-frost device
- Mixed system control (high and low temperature) and cascade installation option
- Connection available for indirect DHW cylinder
- Electrical connection for heating and DHW pump

- ✓ **OUTPUT RANGE FROM 45 TO 100 kW**
- ✓ **PREMIXING BURNER**
- ✓ **STAINLESS STEEL HEAT EXCHANGER**



TECHNICAL DATA	HT 1.450		HT 1.550		HT 1.650		HT 1.850		HT 1.1000	
	Indoor/Outdoor	Indoor/Outdoor	Indoor/Outdoor	Indoor/Outdoor	Indoor	Indoor	Indoor	Indoor	Indoor	Indoor
Rated heat output 80 deg C.	kW		45	55	65	85	100	110.3	110.3	110.3
Rated heat output 50 deg C.	kW		48.7	59.5	70.3	91.6	110.3	110.3	110.3	110.3
Reduced heat output	kW		14.5	15.5	19.3	29.3	29.8	29.8	29.8	29.8
Nominal gas consumption	MJ/h		167	204	241	348.8	368	368	368	368
Central heating system max	kPa		300	300	300	300	300	300	300	300
Heating circuit Temperature range	deg C.		25-80	25-80	25-80	25-80	25-80	25-80	25-80	25-80
Concentric flue duct diameter	mm		80	80	80	110	110	110	110	110
Concentric air duct diameter	mm		125	125	125	160	160	160	160	160
2-pipe flue duct diameter	mm		80	80	80	110	110	110	110	110
2-pipe air duct diameter	mm		80	80	80	110	110	110	110	110
Max flue temperature	deg C.		74	78	75	74	79	79	79	79
Type of Gas used	-		NG / Propane	NG / Propane	NG / Propane	NG / Propane	NG / Propane	NG / Propane	NG / Propane	NG / Propane
Gas pressure	kPa		1.13 / 2.75	1.13 / 2.75	1.13 / 2.75	1.13 / 2.75	1.13 / 2.75	1.13 / 2.75	1.13 / 2.75	1.13 / 2.75
Power supply voltage / frequency	-		240V AC / 50 Hz	240V AC / 50 Hz	240V AC / 50 Hz	240V AC / 50 Hz	240V AC / 50 Hz	240V AC / 50 Hz	240V AC / 50 Hz	240V AC / 50 Hz
Power consumption	watts		75	80	125	150	200	200	200	200
Net weight indoor / outdoor	kg		64 / 67	68 / 71	72 / 75	94	98	98	98	98
Dimensions indoor	Height mm		950	950	950	950	950	950	950	950
	Width mm		600	600	600	600	600	600	600	600
	Depth mm		466	466	466	650	650	650	650	650
Dimensions outdoor	Height mm		1150	1150	1150	-	-	-	-	-
	Width mm		600	600	600	-	-	-	-	-
	Depth mm		475	475	475	-	-	-	-	-
Gas Inlet - (GAS)	Inches BSP		3/4"	3/4"	3/4"	1"	1"	1"	1"	1"
Heating flow - (MR)	Inches BSP		1"	1"	1"	1 1/2"	1 1/2"	1 1/2"	1 1/2"	1 1/2"
Heating return - (RR)	Inches BSP		1"	1"	1"	1 1/2"	1 1/2"	1 1/2"	1 1/2"	1 1/2"
Efficiency @ 50 deg C.	%		96	96	96	96	96	96	96	96
Efficiency @ 80 deg C.	%		90	90	90	90	90	90	90	90



Certified by  
The Australian  
Gas Association  
AGA Cert. No. 7023

Due to our constant endeavour for improvement, we reserve the right to change product specification without notice.

Distributed by:



**HYDROHEAT SUPPLIES PTY LTD**  
 P.O. BOX 1045  
 6 Helen Kob Drive,  
 BRAESIDE, VICTORIA, 3195  
 Ph 03 9588 1299 Fax 03 9588 2199  
<http://www.hydroheat.com.au>